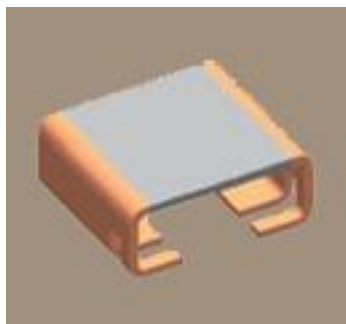


外折 **Current Sensing Resistors-HOVB Series**



Features

- 2-5 2-5Watts
- 5% 1% Tolerance 5% or 1%
- TCR 20ppm/ 50ppm/
- 0.0005 Resistance values down to 0R001 ohms
- 10 Low Inductance
- ROHS lead-free
-

Special tight tolerance are available on request

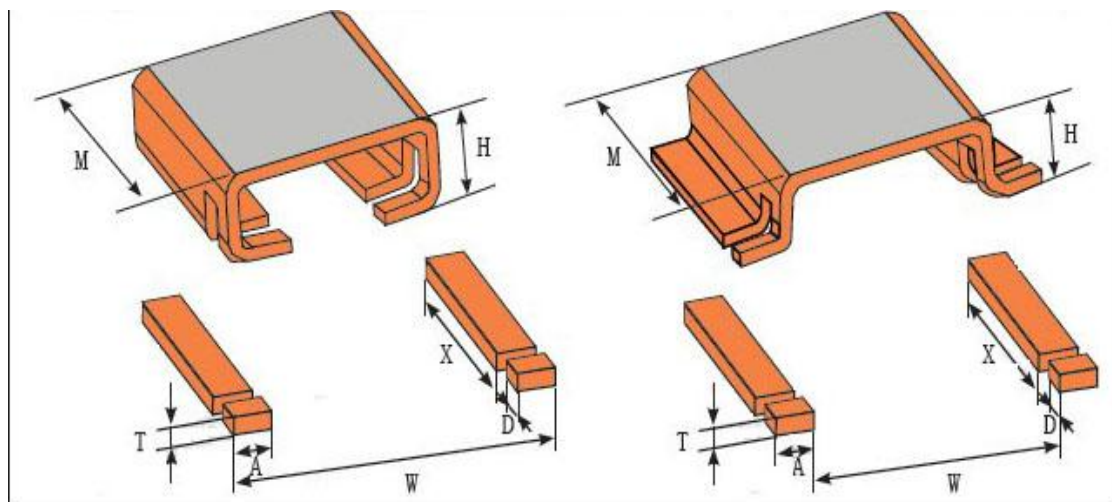
Electrical Data

		HOVB
85	Power rating at 85 watts	5
Resistance range ohms		0.0005Ω to 0.002Ω

*Contact factory for values below 0.001 ohm

Dimensions Data

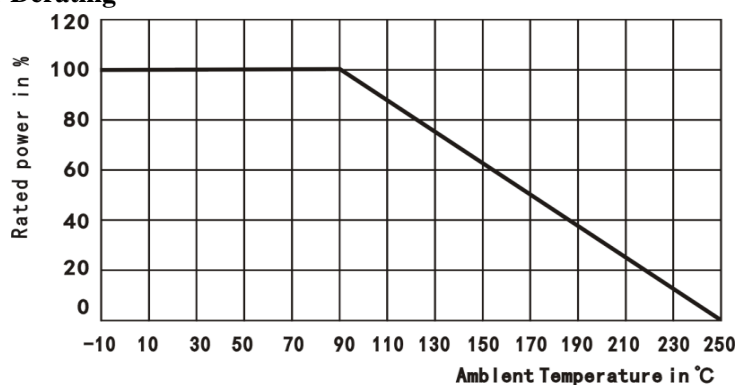
Type	M	W	H	X	D	A	T
SBB-M-6.9-0.5	6.6 0.3	6.9 0.3	3.0 0.3	5.6	0.9	2.5	0.66
SBB-M-6.9-1	6.6 0.3	6.9 0.3	3.0 0.3	5.6	0.9	2.5	0.33
SBB-M-6.9-2	6.6 0.3	6.9 0.3	3.0 0.3	5.6	0.9	2.5	0.4



performance Data

TEST	CONDITIONS OF TEST	TEST LIMITS
Thermal Shock	-55 to,150 ,1000cycles ,15min at each extreme	1.0%+0.0005Ω R
Shot time overload	5xrated power for 5s	0.5%+0.0005Ω R
Low temperature storage	-65 for 45 min	0.5%+0.0005Ω R
High temperature expo-sure	1000 h at +170	1.0%+0.0005Ω R
Bias humidity	+85 85% RH, 10% bias, 1000 h	0.5%+0.0005Ω R
Mechanical shock	100 g's for 6 ms, 5 pulses	0.5%+0.0005Ω R
Vibration	Frequency varied 10 Hz to 200 Hz in 1 min, 3directions,12h	0.5%+0.0005Ω R
Resistance to solder heat	1000 h at+70 , 1.5 h ON , 0.5 h OFF	1.0%+0.0005Ω R
Resistance to solder heat	+260 solder,10s to12 s dwell, 25 mm/s emergence	0.5%+0.0005Ω R
Moisture resistance	MIL-STD-202, method 106, 0 % power, 7a and 7b not required	0.5%+0.0005Ω R

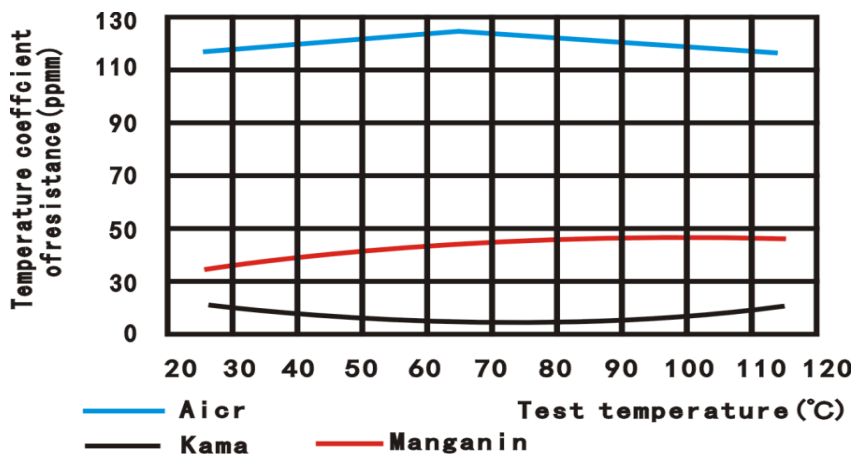
Power Derating



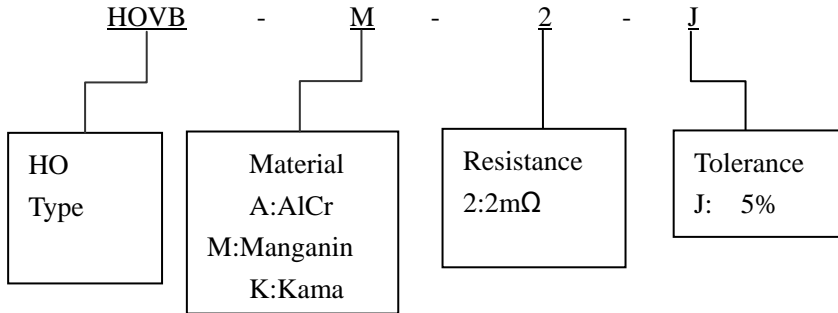
Electrical Features

*

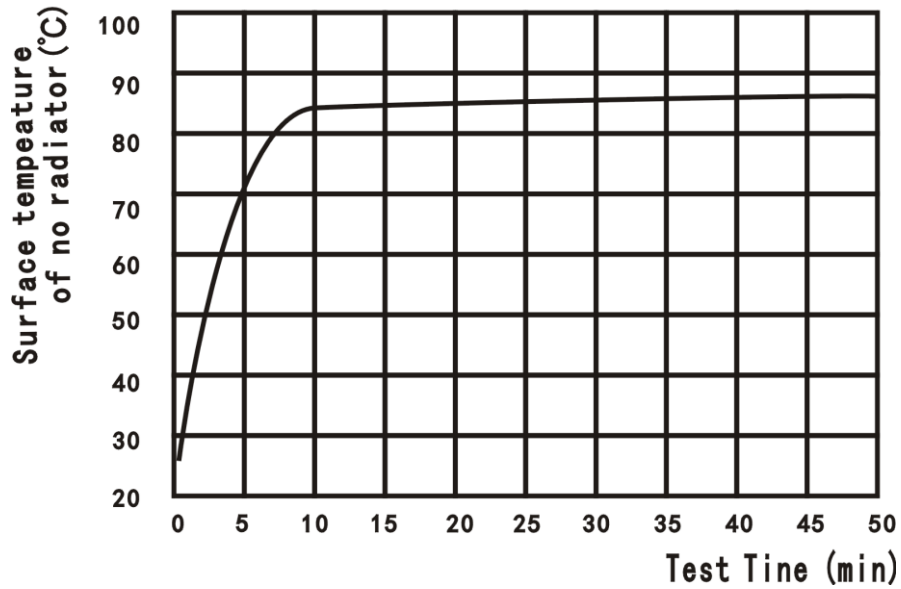
TCR Derating



Order information



Surface Temperature
Surface temperature of normal working



Application

- Current Sensing
- Feedback
- Low Inductance
- Surge and pulse